



# GLH SERIES CAVITY STYLE TECHNOLOGY

GLH Series is your answer for a larger magnetic gear pump that can handle tough fluid handling needs. The GLH Series delivers zero leak tolerance and precise, reliable flow with higher displacement.

Micropump's GLH Series features helical gears for a rugged solution optimized for reliable performance, more displacement, and longevity of operation in challenging pumping applications.

## MAGNETIC DRIVE GEAR PUMP

### HIGH-SYSTEM PRESSURE CAPABILITY

Designed to withstand maximum system pressures up to 103 Bar (1500 psi).

### MAINTENANCE EASE

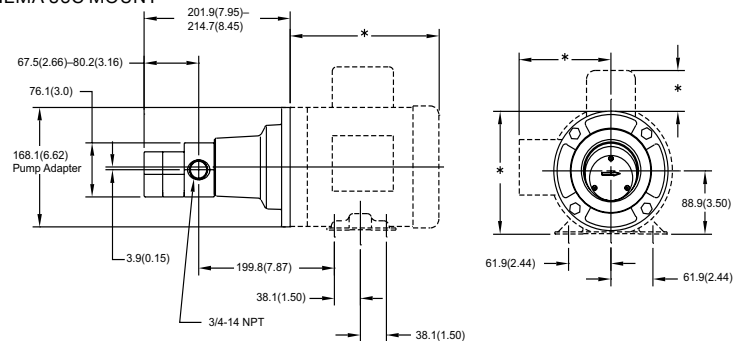
Streamlined product portfolio with a wide performance set for improved replacement part stock.

### INDUSTRIAL MOUNT FLEXIBILITY

Drive mount options to fit NEMA and IEC-compatible motors.

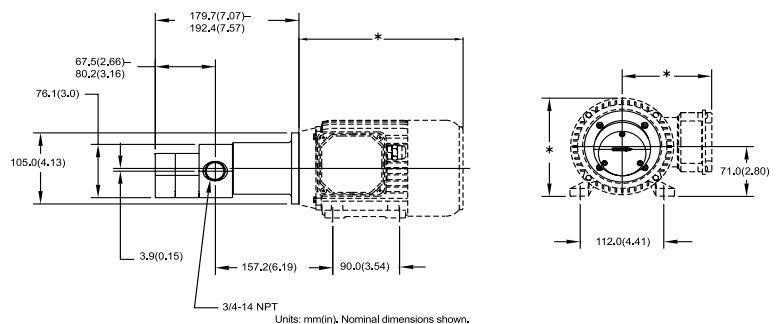


#### NEMA 56C MOUNT



Units: mm(in). Nominal dimensions shown.

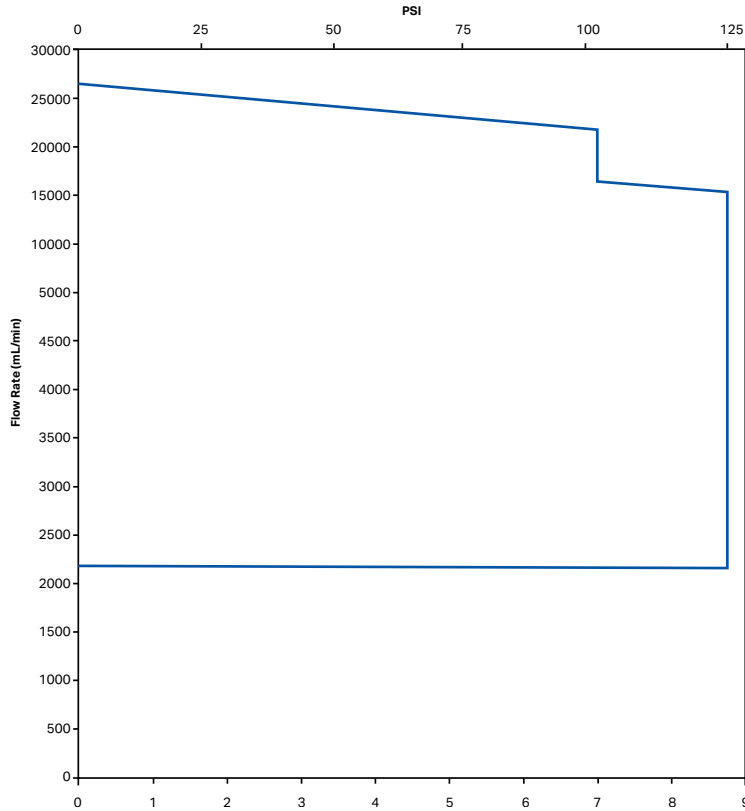
#### IEC 71-B14 MOUNT



Units: mm(in). Nominal dimensions shown.

# PUMP FLOW RANGE

(Based on Constant Speed Curves)



## MAGNETIC GEAR PUMP FEATURES

### CAVITY STYLE PUMPS

Cavity style pumps are excellent for wide-ranging inlet and outlet operating conditions. The helical gears allow for a highly quiet and efficient pump for fluid movement.

### SMOOTH PULSELESS DELIVERY

Positive displacement, precision gears provide consistent fluid delivery in continuous processes.

### EASY TO SERVICE

Our pumps are easy to service using a Micropump® service kit and simple hand tools.

### LEAK FREE DESIGN

The magnetic drive and static o-ring seal(s) keep the fluid securely inside the pump and potential contaminants out.

### CHEMICALLY RESISTANT

Chemically inert materials for harsh environments.

## PERFORMANCE SUMMARY

### FLOW RATE AT 3450 RPM

- 26.6 L/min (7.0 US gpm)

### DISPLACEMENT

■ Gear Set	H21	H23	H25
■ mL/rev	4.6	6.2	7.7
■ US gal/1000 rev	1.2	1.6	2.0

### MAXIMUM RATED DIFFERENTIAL PRESSURE

- 8.6 Bar (125 psi)

### MAXIMUM RATED SYSTEM PRESSURE

- 103.4 Bar (1500 psi)

### TEMPERATURE RANGE

- 29 to 121 °C (-50 to 250 °F)

### VISCOSITY RANGE

- 0.5 to 2500 cps

### MAXIMUM RECOMMENDED SPEED

- 3450 rpm

## PUMP CONSTRUCTION

- Cavity style
- Helical, shafted gears
- Sleeve bushings
- O-ring seals

## WETTED MATERIALS

### BASE MATERIAL

- 316 stainless steel

### GEARS

- PTFE
- PEEK

### STATIC SEALS

- PTFE
- Viton

## MAGNETS

### DRIVEN

- Rare earth

### DRIVING

- Ferrite
- Rare earth

\*Denotes customization or materials that may require minimum order quantities.