

GRI specializes in the custom design and manufacturing of fluid pumps for the OEM market. The chart below is a general overview of GRI's **INTG3** Series Pumps. If you do not find a pump that meets your exact requirements, our dedicated Sales Team will work with you to create a solution specific to your application - whether it is customizing an existing pump or designing new.

Specifications
<b>Max. Fluid Temp:</b> 203°F (95°C)
<b>Max Sys. Pressure:</b> 75 psi
<b>Approx. Weight:</b> .8 LBS (362.9 grams)
<b>Ports:</b> 3/4", 1/2" MHB, 3/8" MPT OEM Customization Available

Materials in contact with solution
<b>Body:</b> PPS (Ryton®)
<b>Housing:</b> PPS (Ryton®)
<b>Impeller:</b> PPS (Ryton®)
<b>Pump Shaft:</b> Ceramic
<b>Static O-Ring:</b> EPDM, FKM (Viton)

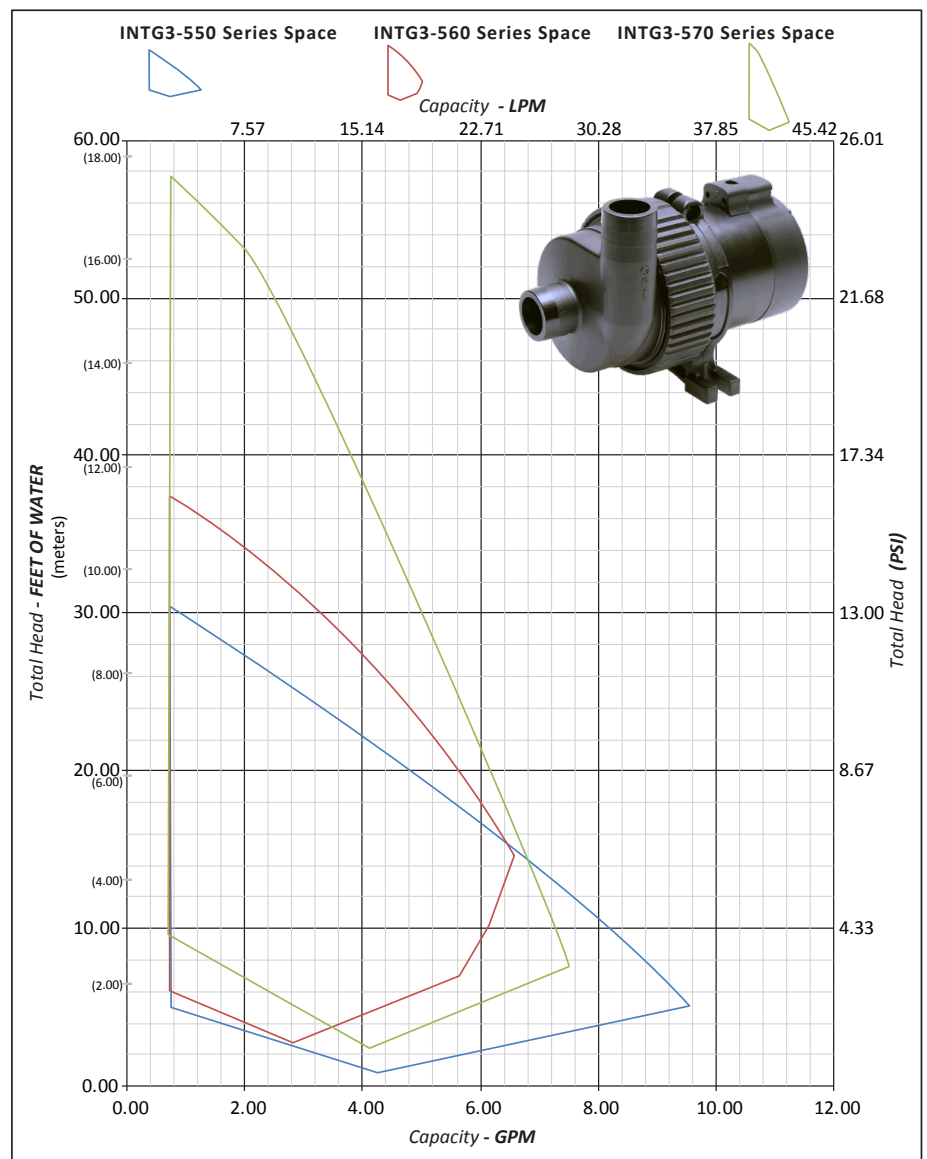
Motor specifications
<b>Motor:</b> Integrated, Brushless DC
<b>Supply Voltage:</b> 9-24 VDC
<b>Electronics Max Power:</b> 60 Watts It is recommended that the customer provide circuit over current protection to the pump. <b>5 amp fast acting fuse</b> is recommended.

Wiring Options
<ul style="list-style-type: none"> <li>• <b>2-wire</b></li> <li>• <b>3-wire:</b> 0-5 volts (Reference DC NEG). Speed is controlled by a nominal 0-5 volt DC signal.</li> <li>• <b>Tachometer</b> feedback option available.</li> </ul>

Agency Approvals
<b>UL778:</b> Motor-operated Water Pumps
<b>NSF 61:</b> Potable Water
<b>NSF 372:</b> Lead Content

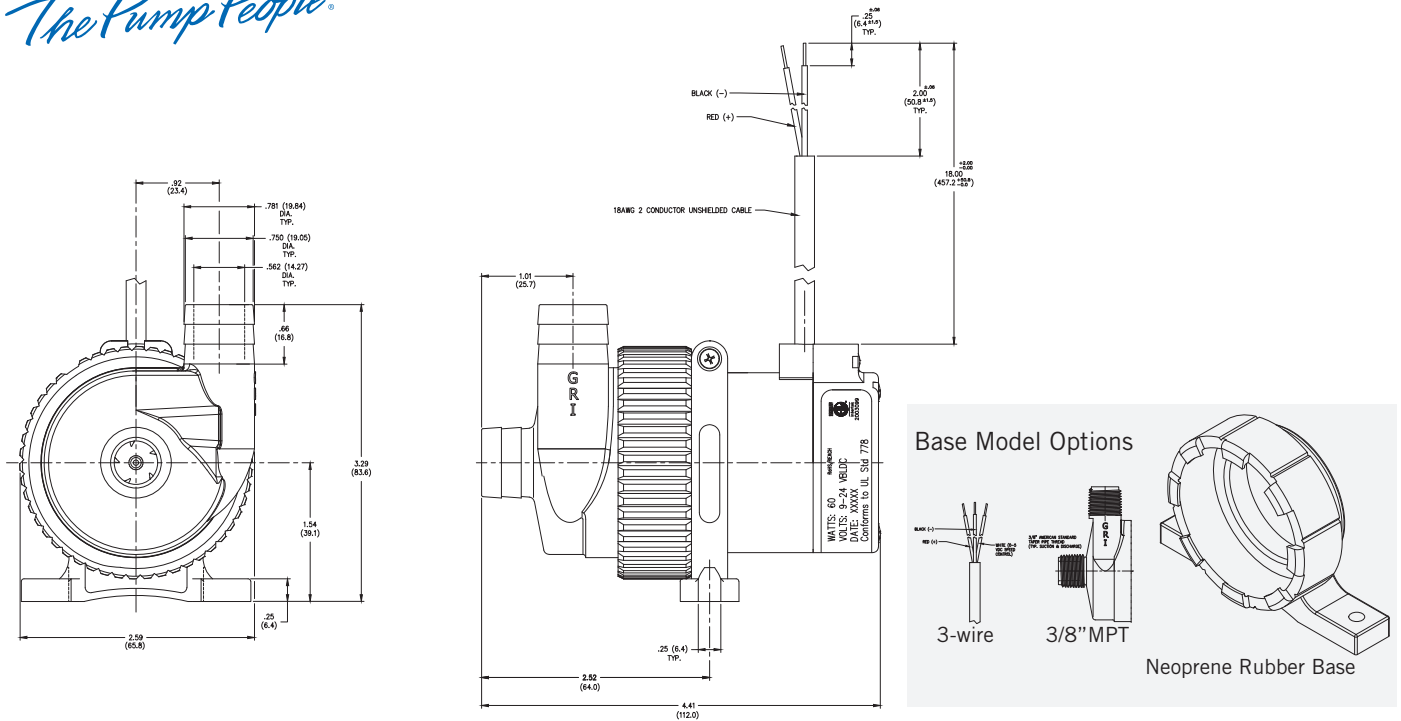
Compliances
RoHS 2 (2011/65/EC)
REACH (SVHC)

INTG3 Series	Voltage	Max Flow GPM (LPM)	Max Head Ft (PSI) (m)
550 series	9-24	8.85 (33.5)	32.00 (13.9) (9.8)
560 series	9-24	6.70 (25.4)	37.00 (16.0) (11.3)
570 series	9-24	7.50 (28.4)	58.00 (25.1) (17.7)



Note: Testing performed in a controlled laboratory environment. Actual performance may vary (+) or (-) 10% from the information shown.

**Do Not Run Pumps Dry. Pumps must be in a continuous flooded suction environment.**



INTG3-550 Series Typical Dimensional Drawing.

Many other OEM port options and configurations are available. Please contact GRI to discuss.

Model / O-Ring		Voltage	Wires	Max Flow GPM (LPM)	Max Head Ft. (PSI) (m)	Ports Inches
EPDM	FKM					
INTG3-550	INTG3-551	9-24	2-wire	8.85 (33.5)	32.00 (13.9) (9.8)	3/4 MHB
INTG3-552	INTG3-553	9-24	3-wire			
INTG3-560	INTG3-561	9-24	2-wire	6.70 (25.4)	37.00 (16.0) (11.3)	1/2 MHB
INTG3-562	INTG3-563	9-24	3-wire			
INTG3-564	INTG3-565	9-24	2-wire	6.70 (25.4)	37.00 (16.0) (11.3)	3/8 MPT
INTG3-566	INTG3-567	9-24	3-wire			
INTG3-570	INTG3-571	9-24	2-wire	7.50 (28.4)	58.00 (25.1) (17.7)	1/2 MHB
INTG3-572	INTG3-573	9-24	3-wire			
INTG3-574	INTG3-575	9-24	2-wire	7.50 (28.4)	58.00 (25.1) (17.7)	3/8 MPT
INTG3-576	INTG3-577	9-24	3-wire			

**3-wire:** Attaching a 0-5vdc signal to the third (speed control) wire allows you to turn down and thus vary the performance of the pump as needed, given a fixed supply across the red and black wires.  
**Connectors:** MHB = Male Hose Barb; MPT = Male Pipe Thread  
**O-Ring Material:** EPDM = Ethylene Propylene Diene Monomer, FKM = Fluoroelastomer.

Note: Testing performed in a controlled laboratory environment. Actual performance may vary (+) or (-) 10% from the information shown. **Do Not Run Pumps Dry. Pumps must be in a continuous flooded suction environment.**

