

GRI specializes in the custom design and manufacturing of fluid pumps for the OEM market. The chart below is a general overview of GRI's **INTG1** Series Pumps. If you do not find a pump that meets your exact requirements, our dedicated Sales Team will work with you to create a solution specific to your application - whether it is customizing an existing pump or designing new.

### Specifications

**Max. Fluid Temp:** 203°F (95°C)

**Max Sys. Pressure:** 50 psi

**Approx. Weight:** .8 LBS (362.9 grams)

**Ports:** 1/2" MHB, 3/8" MPT  
OEM Customization Available

### Materials in contact with solution

**Body:** LCP

**Housing:** PPS

**Impeller:** LCP

**Impeller Shaft:** Stainless Steel

**Static O-Ring:** EPDM, FKM (Viton)

### Motor specifications

**Motor:** Integrated, Brushless DC

**Supply Voltage:** 12, 24, 12-24 VDC

**Electronics Max Power:** 1.5 amps  
It is recommended that the customer provide circuit over current protection to the pump.  
**1.5 amp fast acting fuse** is recommended.

### Wiring Options

- **2-wire**
- **3-wire:** 0-5 volts (Reference DC NEG). Speed is controlled by a nominal 0-5 volt DC signal.
- **Tachometer** feedback option available.

### Agency Approvals

**Contact GRI**

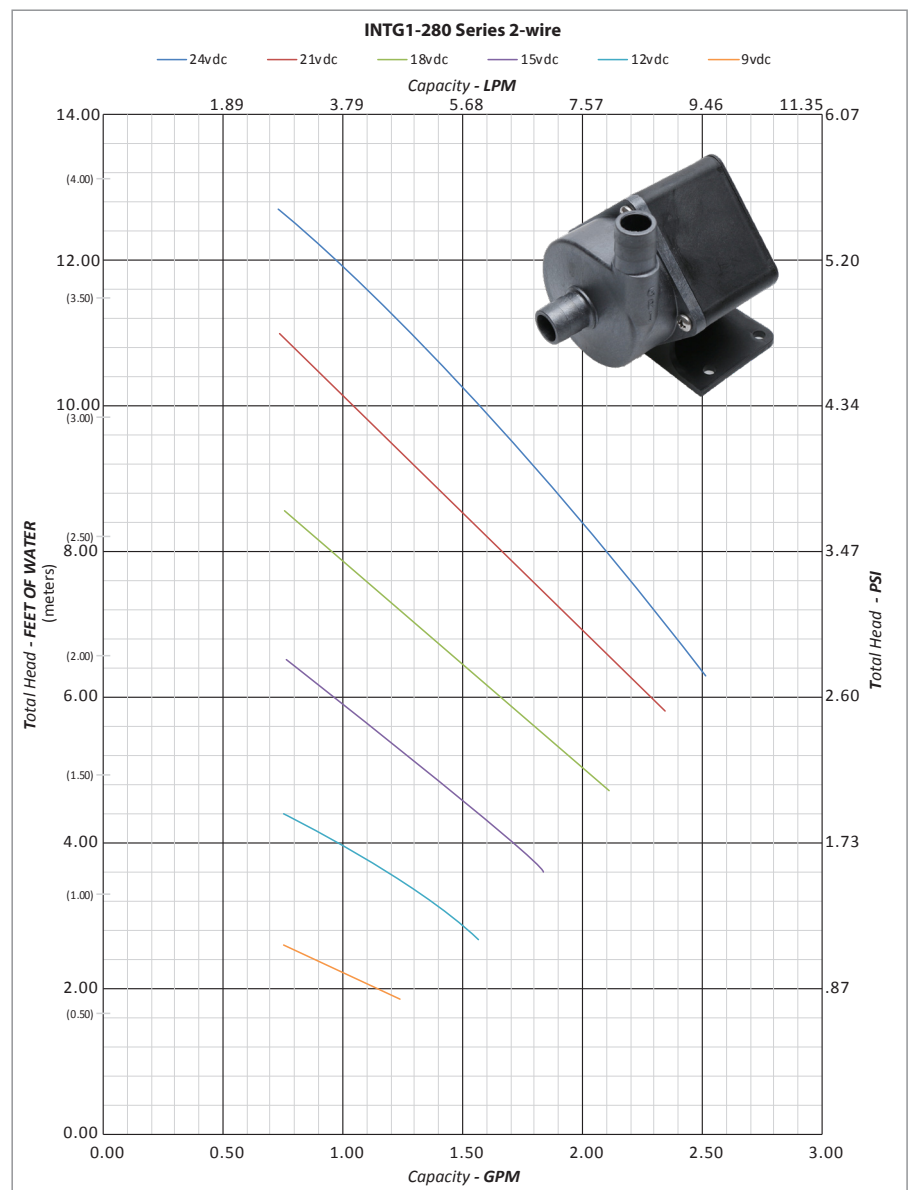
### Compliances

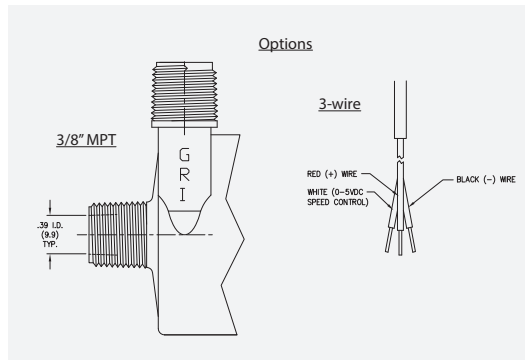
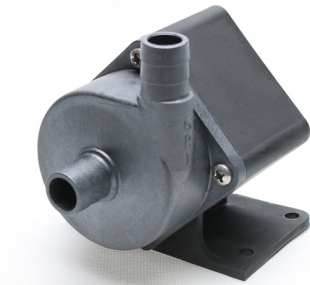
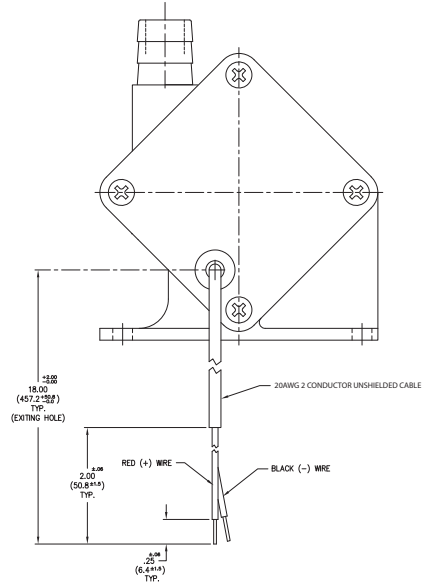
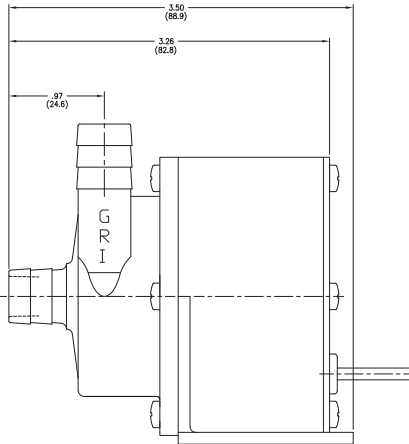
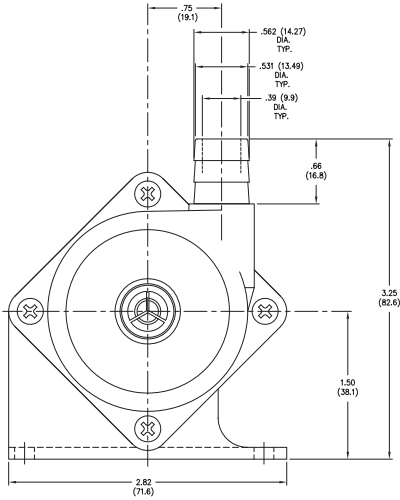
RoHS 2 (2011/65/EC)  
REACH (SVHC)

Note: Testing performed in a controlled laboratory environment. Actual performance may vary (+) or (-) 10% from the information shown.

**Do Not Run Pumps Dry. Pumps must be in a continuous flooded suction environment.**

Voltage	Max Flow GPM (LPM)	Max Head Ft (PSI) (m)
9-24	2.50 (9.50)	12.80 (5.5) (3.90)





Model / O-Ring		Voltage	Wires	Max Flow GPM (LPM)	Max Head Ft (PSI) (m)	Ports Inches
EPDM	FKM					
INTG1-280	INTG1-281	9-24	2-wire	2.50 (9.50)	12.80 (5.5) (3.90)	1/2 MHB
INTG1-284	INTG1-285	9-24	2-wire	2.50 (9.50)	12.80 (5.5) (3.90)	3/8 MPT
INTG1-380	INTG1-381	9-24	3-wire	2.50 (9.50)	12.80 (5.5) (3.90)	1/2 MHB
INTG1-384	INTG1-385	9-24	3-wire	2.50 (9.50)	12.80 (5.5) (3.90)	3/8 MPT

**3-wire:** Attaching a 0-5vdc signal to the third (speed control) wire allows you to turn down and thus vary the performance of the pump as needed, given a fixed supply across the red and black wires. If the speed control wire is not connected, the pump will run full-on.

**Connectors:** MHB = Male Hose Barb; MPT = Male Pipe Thread

**O-Ring Material:** EPDM = Ethylene Propylene Diene Monomer, FKM = Fluoroelastomer.

Note: Testing performed in a controlled laboratory environment. Actual performance may vary (+) or (-) 10% from the information shown. **Do Not Run Pumps Dry. Pumps must be in a continuous flooded suction environment.**

