

Electric diaphragm pumps



aquatec

Aquatec's 3-chamber and 5-chamber diaphragm pumps are used for a variety of transfer and recirculation applications including heat exchange for open or closed loop systems, diluted chemicals transfer, and agitation. They are the perfect solution also for a variety of water delivery applications including water pressurization from an atmospheric tank, delivery of purified water to a specific point of use, or simply pressure's increase when required.

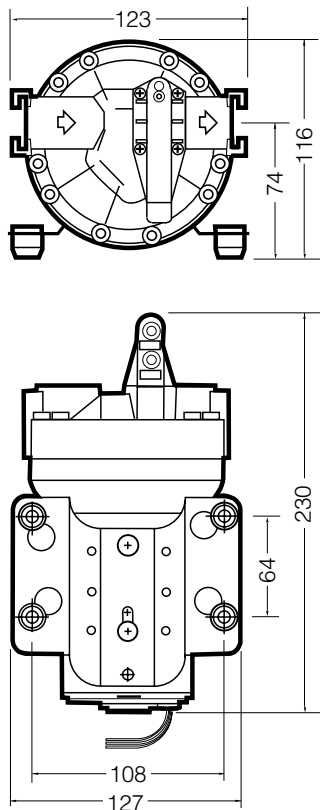
Pump materials

- Pump body: PP, Nylon
- Membrane: Santoprene
- Valves: EPDM, Viton, Buna
- O-Ring. EPDM, Viton, Nitril

Main features

- Liquid temperature up to 60°C with PP housing and 80°C with Nylon housing
- Self-priming
- Dry running without damage
- Brush motor: VAC (115 or 220) – VDC (12 or 24V)

550 series



Dimensioni in mm.

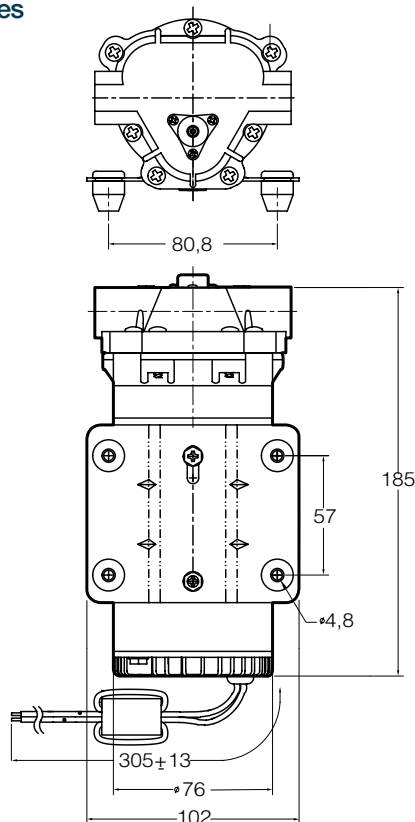
550 series

- Flow range 7 – 22 l/min
- Differential pressure up to 4 bar
- Port sizes/styles available: ½" Female NPT thread

Typical applications

- Water Treatment/RO
- Beverage/Foodservice
- Floor Care Spraying
- Solar Water Pumping
- Distillation Equipment
- Agricultural Spraying
- General Industrial
- Automotive

5800 series



Dimensioni in mm.

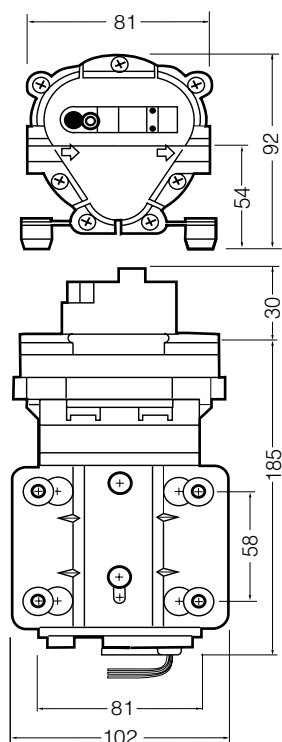
5800 series

- Flow range 2,5 – 7,5 l/min
- Differential pressure up to 6 bar with PP housing and 15 bar with Nylon housing
- Port sizes/styles available: 3/8" female NPT thread, or 3/8" push-in

Typical applications

- Laser Tool Cooling
- Welding Tool Cooling
- Coolant Circulation
- Water Transfer
- Automotive Fluid Transfer
- Diluted Chemical Dosing
- Ink Transfer
- Drip Irrigation Feed
- Fuel Cell Heat Exchange
- Sump Pump Out & Transfer

6800/8800 series



Dimensioni in mm.

6800/8800 series

6800 flow range 0,7 – 0,9 l/min

8800 flow range 1 – 2,6 l/min

Differential pressure up to 6 bar with PP housing and 15 bar with Nylon housing

Port sizes/styles available: 1/4" or 3/8" push-in

Typical applications

- Water Treatment/RO
- Carbonation Systems
- Beverage/Coffee Systems
- Water Vending, Dispensing
- Hydroponics/Aeroponics
- Misting Systems
- Humidification
- HVAC Coil Cleaning
- Medical Lab Water
- Autoclave Systems
- Endoscope Reprocessing/Chemical Boost
- Dialysis Chemical Injection
- Methanol & Water Injection