

VERDERFLEX

Dura 65



Description

Verderflex Dura 65 Peristaltic Hose Pump is designed for applications such as Metering, Dosing, and Transfer duties (strong advantages on sludges, slurries, and abrasives).

Your benefits

- Class leading performance of up to 33 m³/hr, and pressures of up to 16 bar.
- Minimised downtime and reduced cost of ownership.
- In-situ hose change/simplified spare holding requirement.
- Self-priming (capable of a suction lift of 9.5 mwc), dry running.
- Low shear design ideal for abrasive/solid slurries.
- Seal less, and valve less pumping operation with directly proportional flow stability and repeatability.

Technical data

Max. flow rate	33 m ³ /h	Max. temperature of medium	100 °C ¹⁾
Max. pump speed	80 RPM	Hose ID	65 mm
Max. discharge pressure	16 bar	Bareshaft Weight	479 kg ²⁾
Max. suction lift	9.5 mWc	Max. Incompressible Solid Size	6.5 mm
Max. motor power	18.5 kW	Max. Compressible Solid Size	16.25 mm

¹⁾ Materials of construction apply such as hose and lube ²⁾ 580 to 720 kg, depending on the Standard Gearbox and Motor Fitted.

Materials

Description	Materials	Options	Paint Detail
Pump Housing	SG Iron		Green Powder Coated
Front Cover	Steel		Black Powder Coated
Window	Plexyglass		
Rotor	SG Iron		Green Powder Coated
Rotor Shoes	Cast Aluminium	Stainless Steel Material	
Bearing Housing	SG Iron		Green Powder Coated
Front/Rear Bearing	Deep Groove Ball Race		
Drive Coupling	SG Iron		Green Powder Coated
Shaft Seals	FKM		
Mounting Frame	Steel		Black Powder Coated
Hose Options	Natural Rubber (NR)	Nitrile Buna Rubber (NBR), Ethylene Propylene Diene Monomer (EPDM), Food Grade Nitrile Buna (NBRF), and Hypalon® (CSM)	
Port Flange	CF-8M (316) Stainless Steel Universal slotted design fits with DIN PN16 DN 65, ANSI 150# 2½" & JIS10K	316 Stainless Steel with Polypropylene or P.V.D.F Insert ³⁾ , DIN11851 Hygienic, DIN32676 Tri-clamp	
Lubricant Options	Verderlube - Glycerine based lubricant ⁴⁾ Verdersil - Silicone based lubricant ⁵⁾		

³⁾ Temperature Limit for PP insert is 40°C and for PVDF insert is 80°C. ⁴⁾ Temperature Limit for Verderlube is 50°C. ⁵⁾ Suitable for application above 50°C, but subject to maximum temperature limit of the hose and applications involving strong oxidising agents and nitrogenous compounds.

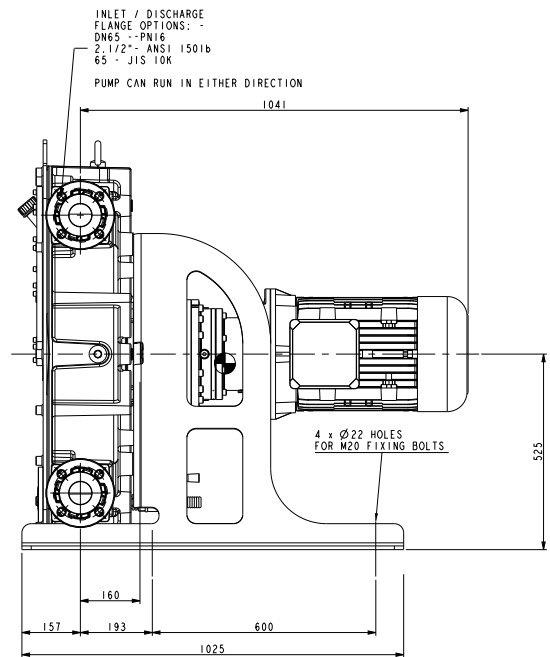
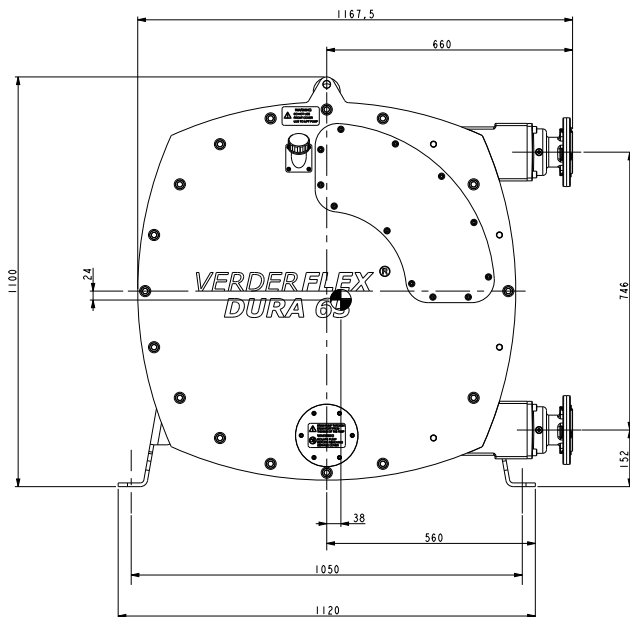
VERDERFLEX

Dura 65



Options and accessories

- Optional FDA CFR21, and EC/1935: optional ATEX.
- Rotor fully supported by casing bearing.
- Ball valve on drain port.
- Angled metal filling port for lubricant.
- Service access port on bottom of front cover.
- Lifting point for front cover.
- Lubricant level gauge (optional).



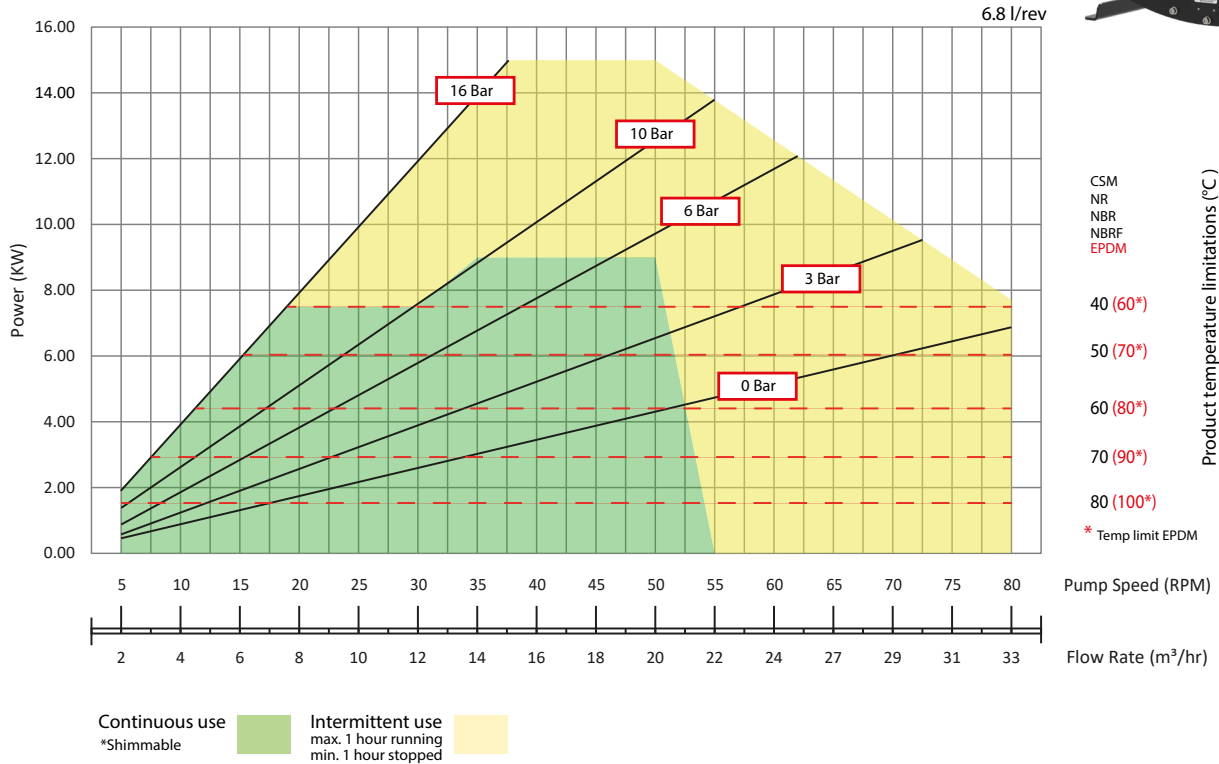
All dimensions are in mm.
 All dimensions and weights are for guidance only.

VERDERFLEX

Dura 65



Performance Curve

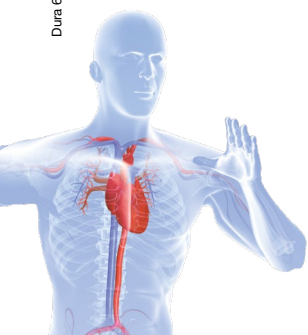


Flows are typical and were measured with water at 20°C with 1 metre suction lift. Actual flows will vary according to suction conditions, discharge pressure and normal component production tolerances.

Trademarks

VERDERFLEX® is a registered trademark of Verder Liquids B.V. No permission is granted to use any Verder, trademarks or trade names included in this document without the prior written agreement of Verder Liquids B.V. Tri-clamp® is a registered trademark of Alfa Laval Corporate AB. Hypalon® is a registered trademark of RSCC Wire & Cable LLC.

Dura 65_Datasheet_rev01_2021_(eu)



Find your local supplier at www.verderflex.com

For construction, installation and floor mounting drawings please contact your local authorised Verderflex® distributor.

© Verder Liquids B.V.

